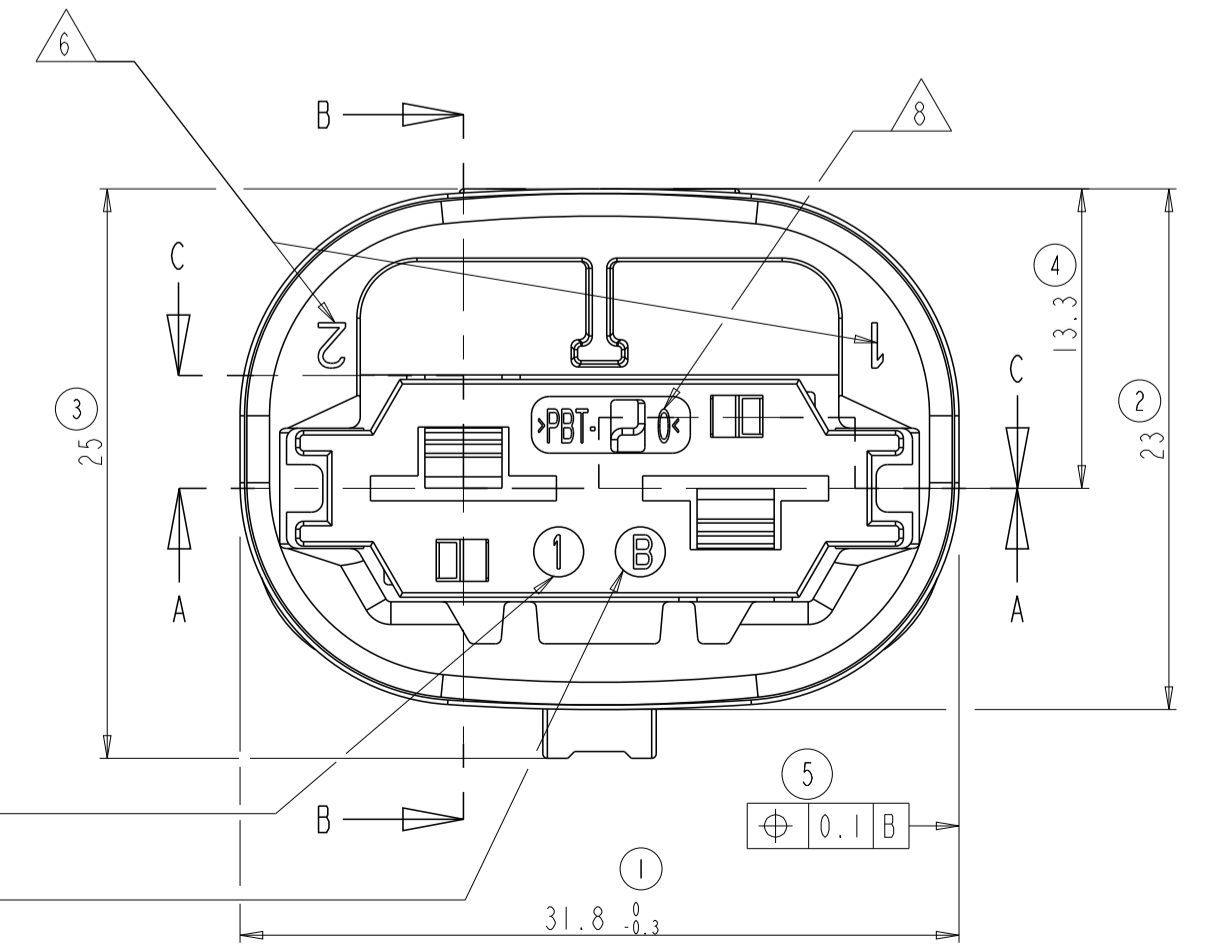
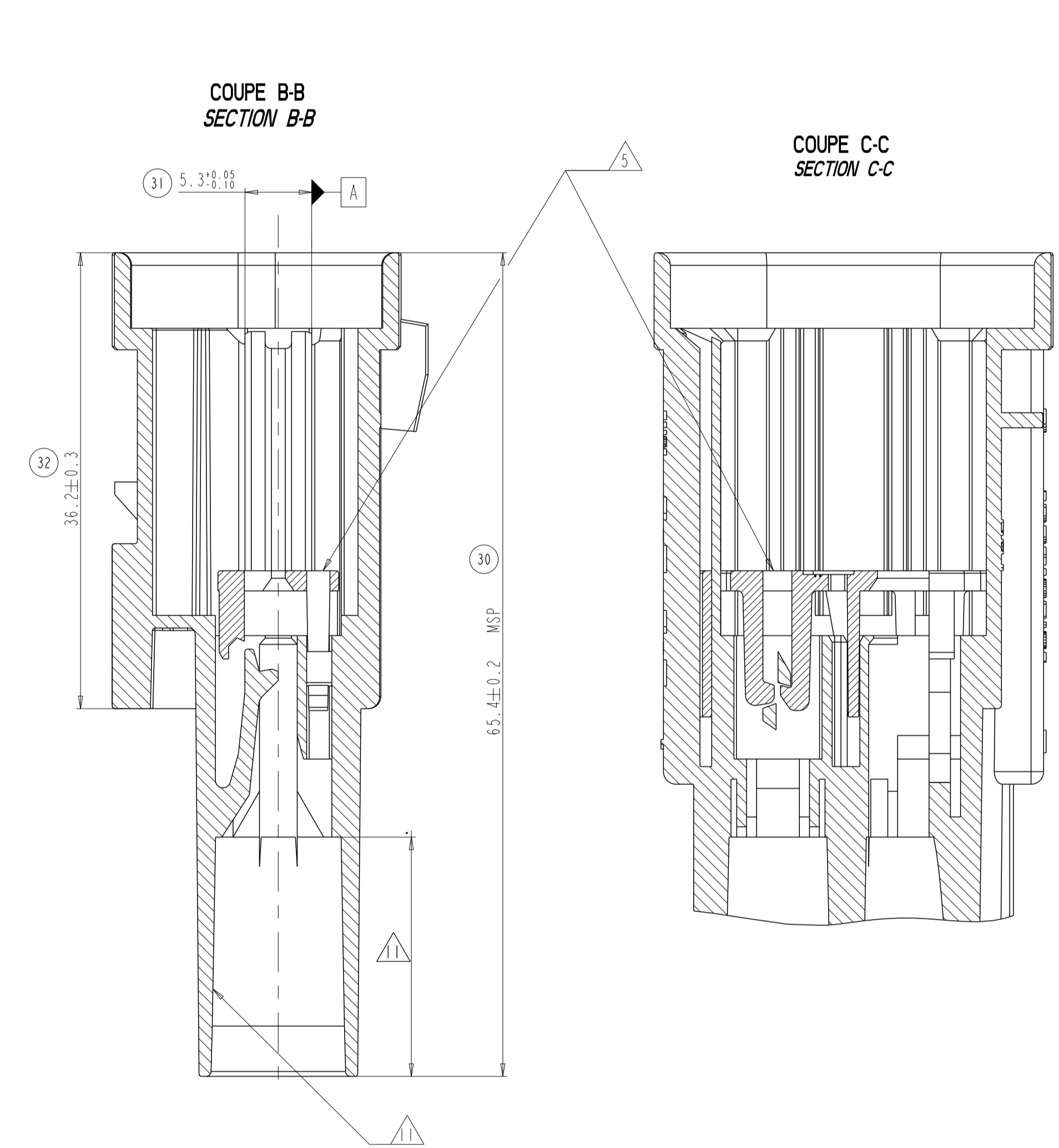
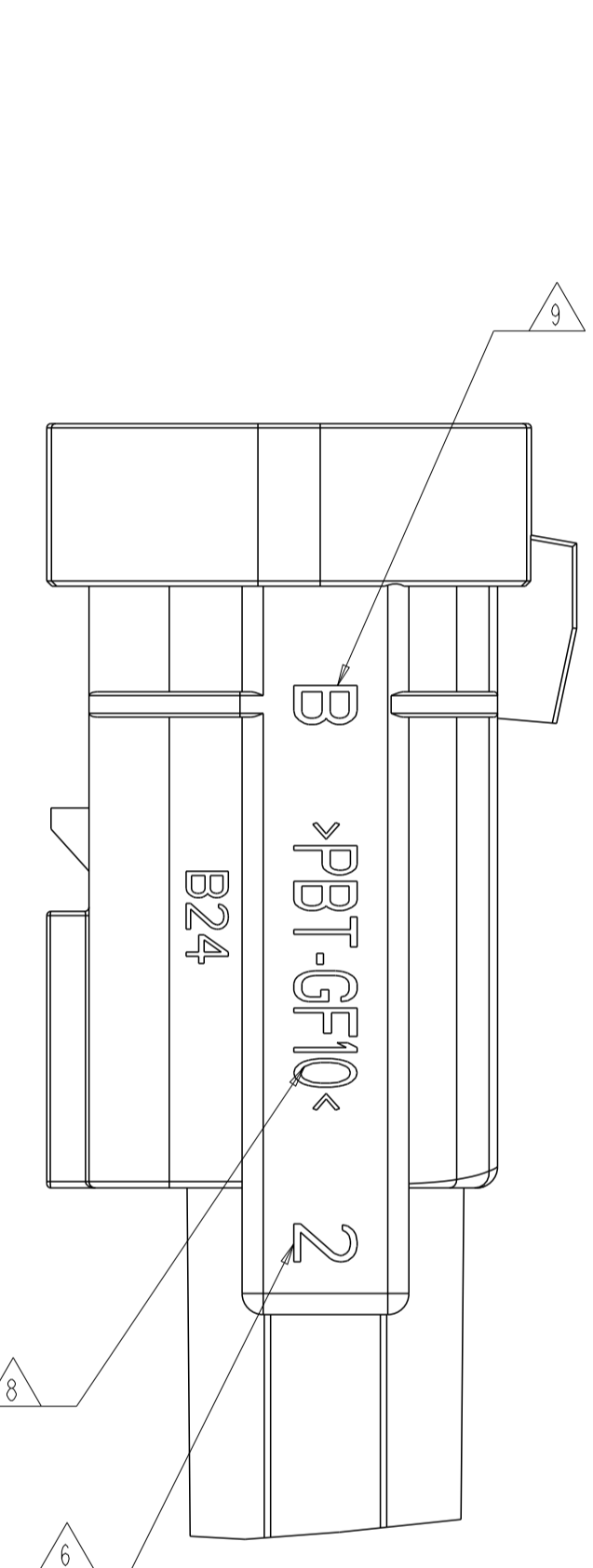
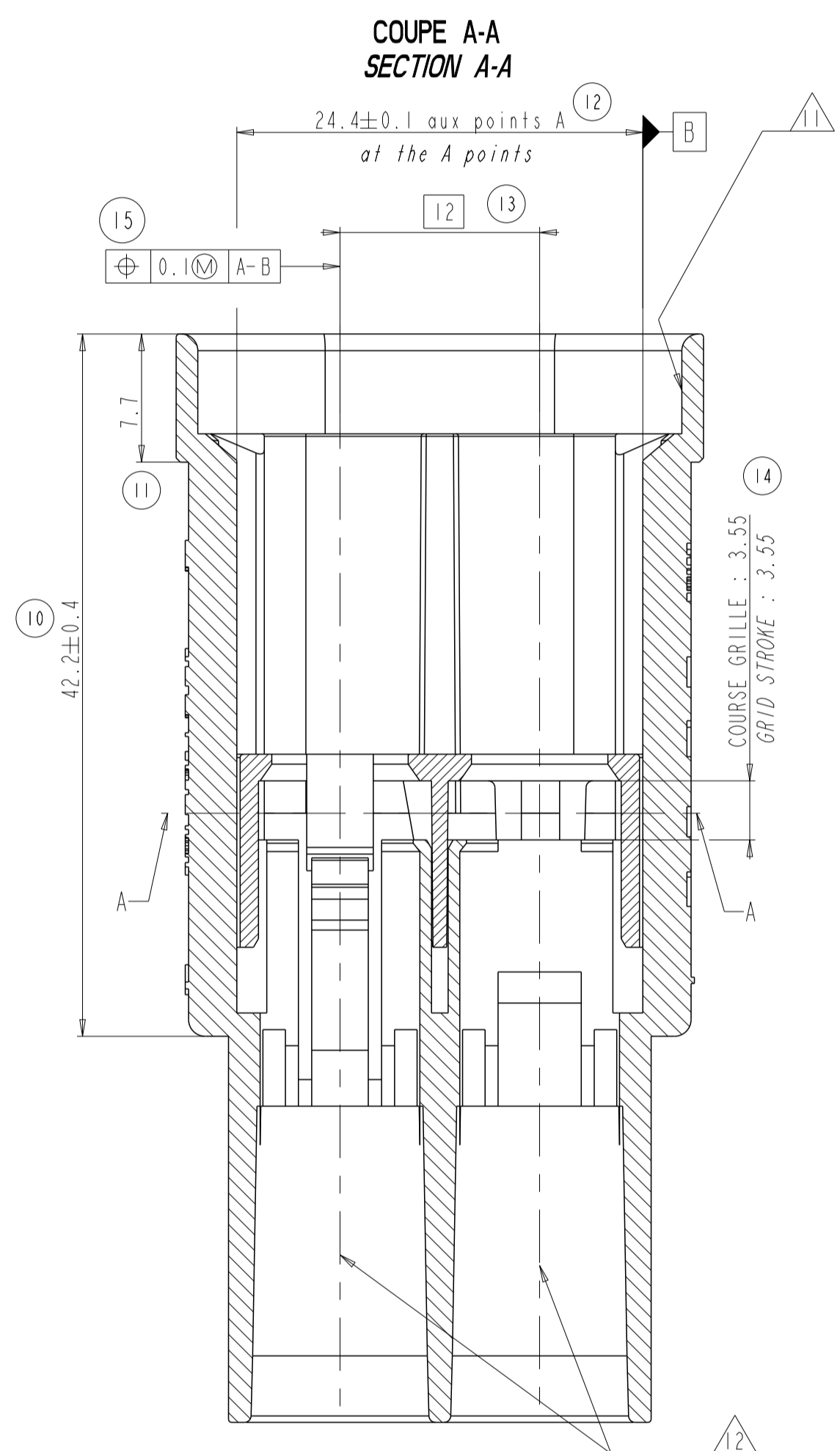
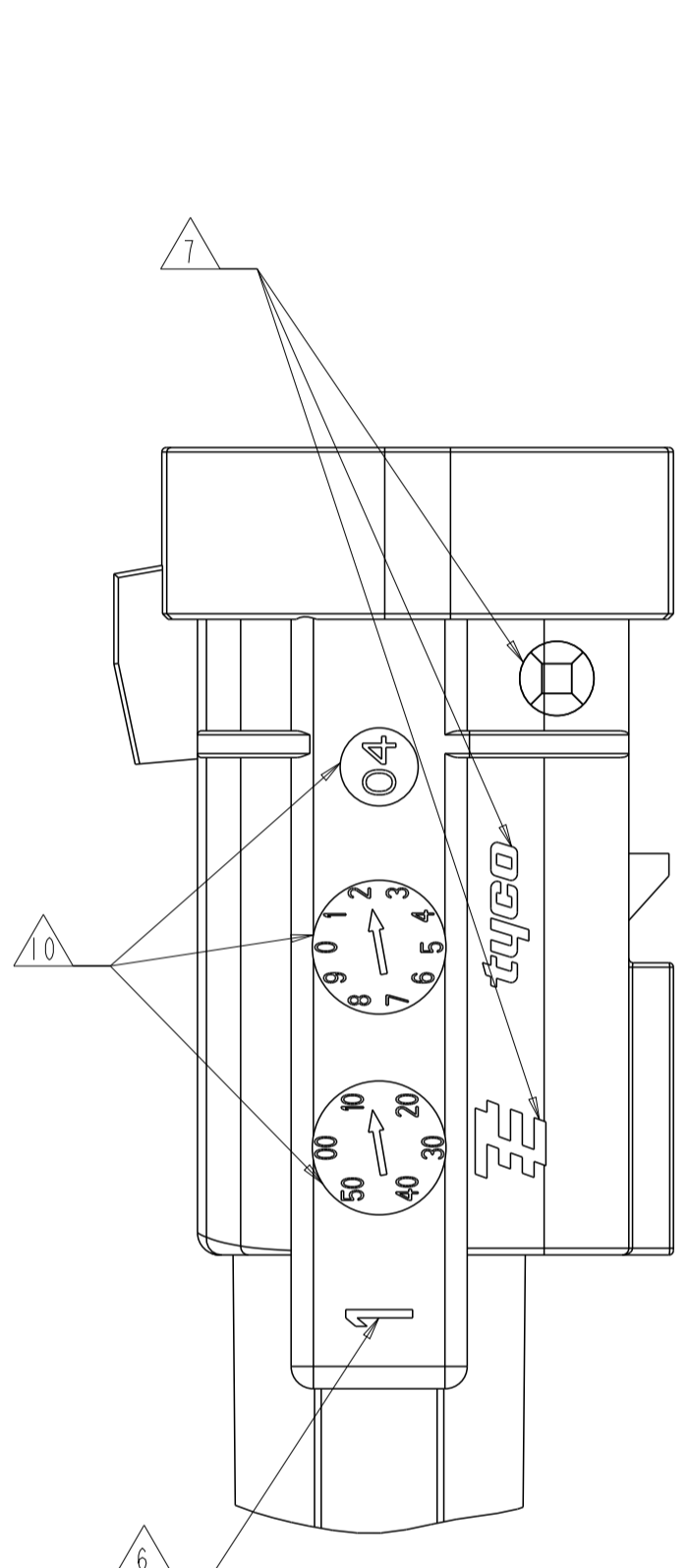


| REVISIONS | | | | | |
|-----------|-----|--|-----------|-----|-------|
| N° | LTN | DESCRIPTION MODIFICATIONS | DATE | OWN | APPR. |
| C | | FIRST ISSUE - TE DRW BOARD | 29JUN2005 | PCS | JDr |
| D | | INTER BOX LOCKING DEVICE MODIFICATION | 21DEC2006 | PCS | JDr |
| E | | REFERENCE PRONER DELETED | 29NOV2010 | PCS | JDr |
| F | | TOLERANCE UPDATED FR DIM REF 10 AND 32 | 29MAY2018 | DB | XR |

ECHELLE 1000
 SCALE : 1000



| Rep | Qté | DESIGNATION Description | MATIERE Material | COULEUR Color |
|-----|-----|---|---------------------|---------------------------|
| B | 1 | GRILLE DE DETECTION (DV) Detection Grid (DV) | PBT GF-10 | JAUNE Yellow |
| A | 1 | PORTE-LANGUETTE Tab Housing | PBT GF-10 | VOIR TABLEAU See table |

REFERENCES TE ET CODAGES COULEURS ASSOCIES
TE PART NUMBERS AND ASSOCIATED CODING COLOR

| 1544334-1 | 1544334-2 | 1544334-3 |
|---------------------|--------------------|--------------------|
| | | |
| 7±0.1 (40) | 3.5±0.05 (41) | 3.5±0.05 (42) |
| NOIR / BLACK | BLEU / BLUE | GRIS / GREY |

NOTE / NOTA

| N° / Nr | DESIGNATION | DESCRIPTION |
|---------|--|---|
| 1 | DISPOSITIF D'ACCROCHAGE | INTER-BOX LOCKING DEVICE |
| 2 | DEPOUILLES GENERALES COMPRISES DANS LES TOLERANCES | GENERALE SLOPS IN TOLERANCES |
| 3 | REPÈRE No MOULE 3 ET + | MOLD No 3 AND +, MARKING |
| 4 | REPÈRE No EMPREINTE MOULE | MOLD CAVITY No MARKING |
| 5 | GRILLE DE DETECTION LIVREE PRE-MONTEE | DETECTION GRID PRE-MOUNTED DELIVERED |
| 6 | REPÈRES ALVEOLES | CAVITIES MARKING |
| 7 | LOGO FOURNISSEUR EN RELIEF DE 0.2mm - PRONER SUR MOULE No 1 - TE SUR MOULE No 2 - TE SUR MOULE No 3 ET + SUIVANT I.A. SPEC I-15995-1 | SUPPLIER LOGO RAISED, HEIGHT 0.2mm - PRONER ON MOLD No 1 - TE ON MOLD No 2 - TE ON MOLD No 3 AND + ACCORDING SPEC I-15995-1 |
| 8 | MARQUAGE MATIERE | MATERIAL DESIGNATION MARKING |
| 9 | INDICE MAJEUR DE MODIFICATION EN RELIEF DE 0.2mm | MAJOR MODIFICATION CODE RAISED, HEIGHT 0.2mm |
| 10 | 3 DATEURS : SEMAINES/ANNEES EN RELIEF DE 0.2mm | 3 DATE CODE : WEEK/YEAR, RAISED, HEIGHT 0.2mm |
| 11 | ZONE D'ETANCHEITE POLIE : SANS BAVURE, MARQUE OU MANQUE MATIERE | POLISHED SEAL LOCATION WITHOUT FLASH OR PLASTIC DEFORMATION |
| 12 | ALVEOLES PLAN TE N° : 1544995 PLAN PSA STE N° : 9641756399 | TE CAVITIES DRAWING N° : 1544995 PSA CAVITIES STE N° : 9641756399 |
| 13 | CDC CONNECTIQUE PSA : No 9629966099 | PSA SPECIFICATION : No 9629966099 |
| 14 | PLAN D'INTERFACE TE No 1544681 PSA STE No 9638276999 | INTERFACE DRAWING TE No 1544681 PSA STE No 9638276999 |
| 15 | CAHIER DE PRECONISATIONS: TE No 411-15697 PSA STE No 9641781799 | INSTRUCTION SHEET: TE No 411-15697 PSA STE No 9641781799 |

CARACTERISTIQUES MECANQUES PRINCIPALES
MAINES MECHANICAL SPECIFICATIONS

| VALEURS RESULTS | |
|--|------------------------|
| EFFORT D'INSERTION LANGUETTE / ALVEOLE (AVEC JOINT) : F < 35N TAB / CAVITY MATING FORCE (WITH SEAL) : F < 35N | 27 N MAXI 27 N MAXI |
| EFFORT DE FERMETURE DU DV : 20N<F<40N SECONDARY-LOCK CLOSING FORCE : 20N<F<40N | 39 N MAXI 39 N MAXI |
| EFFORT D'ACCROUPEMENT PC/PL : F < 80N REC HOUSING / TAB HOUSING CONNECTION FORCE : F < 80N | 73 N MAXI 73 N MAXI |

REFERENCES TE POUR CABLEURS
TE PART NUMBERS FOR WIRING MANUFACTURER

| COMPOSANTS COMPONENTS | REFERENCES PART NUMBERS | MATIERE MATERIAL | COULEUR COLOR |
|---|----------------------------|---|------------------|
| Languelette / Tab 8mm NGI Section 3 à 6 mm ² Wire section 3 to 6 mm ² | 1544332-1 | Laiton pré-étamé Pre-finned brass | / |
| Languelette / Tab 8mm NGI Section 7 à 10 mm ² Wire section 7 to 10 mm ² | 1544333-1 | Laiton pré-étamé Pre-finned brass | / |
| Joint unifié à sertir Single wire seal Section 3 à 6 mm ² Wire section 3 to 6 mm ² | 1544316-1 | Silicone 50sh A autolubrifié Silicone 50sh A self-lubricated | VERT Green |
| Joint unifié à sertir Single wire seal Section 7 à 10 mm ² Wire section 7 to 10 mm ² | 1544316-2 | Silicone 50sh A autolubrifié Silicone 50sh A self-lubricated | ORANGE Orange |
| Bouchon Bundle | 1544316-3 | Silicone 50sh A non-lubrifié Silicone 50sh A no-lubricated | BLANC White |

THIS DRAWING IS A CONTROLLED DOCUMENT.
 CE PLAN EST UN DOCUMENT CONTROLÉ PAR AND INCORPORATED.
 ALL EDITIONS OF THIS DRAWING, INCLUDING REVISIONS, MUST BE APPROVED BY THE ORIGINAL AUTHOR.
 DIMENSIONS: mm

TOLERANCES UNLESS OTHERWISE SPECIFIED (SUIVI NO DE DECIMALES):
 0 P/LC/DEC: ±0.2
 1 P/LC/DEC: ±0.2
 2 P/LC/DEC: ±0.2
 3 P/LC/DEC: ±0.2
 4 P/LC/DEC: ±0.2

FINISH: -
 MATERIAL: SEE TABLE

DMN/BESSINE 29JUN2005
 P. CHABLES 29JUN2005
 L. CORONELLI 29JUN2005

TE Connectivity

PRODUCT SPEC: PRODUIT 108-15346
 APPLICATION SPEC: APPLICATION 411-15697

WEIGHT: 14 gr
 MASSE APPROX: 14 gr

TE Connectivity

ORTE-LANGUETTES 2V 8mm NGI ETANCHE
 2 WAY SEALED 8mm NGI TAB HOUSING

SIZE: A1
 CAGE CODE: 00779
 DRAWING NO: 1544334

RESTRICTED TO

CUSTOMER DRAWING / PLAN CLIENT FOUR REFERENCE: 1544334

SHEET 1 OF 1